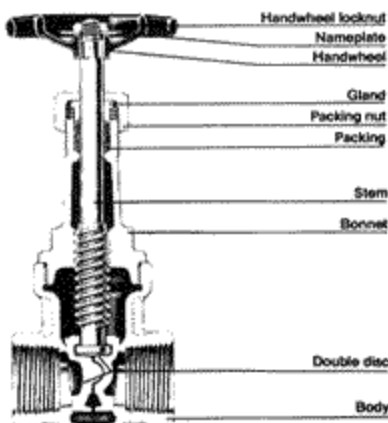




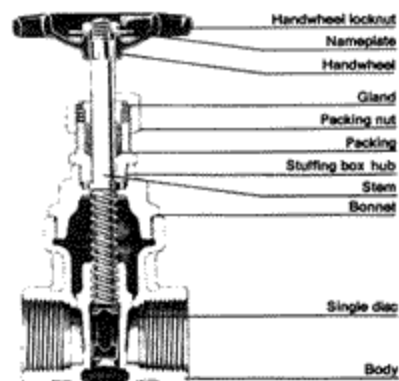
# Parts Identification



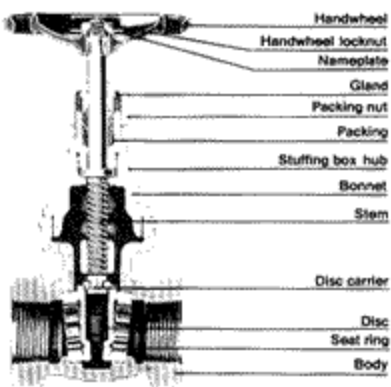
RISING STEM UNI-BALL



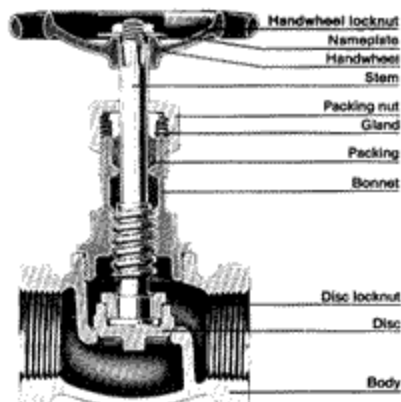
RISING STEM UNI-BALL



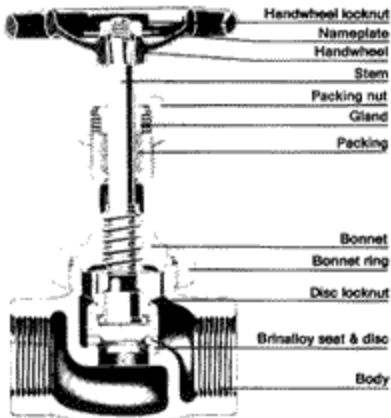
NON-RISING STEM SINGLE WEDGE DISC



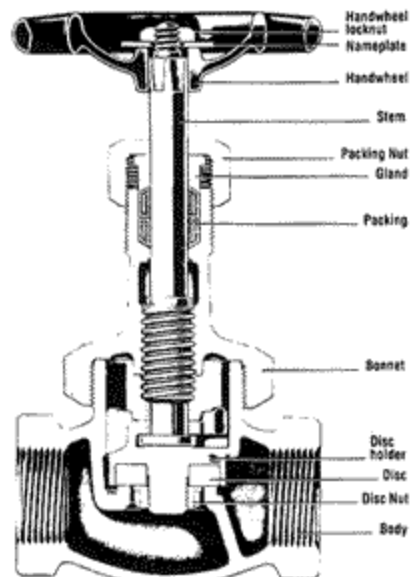
NON-RISING STEM SINGLE WEDGE DISC  
RENEWABLE SEAT RINGS



SCREW-IN BONNET GLOBE



GLOBE

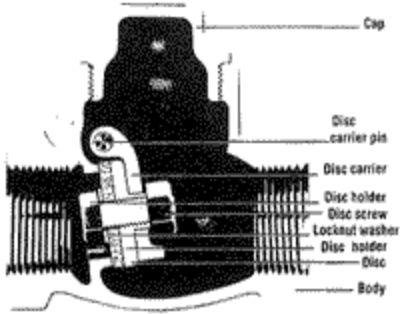


NON-METALLIC DISC GLOBE

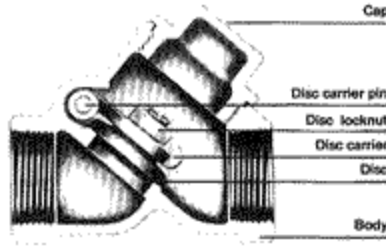
**LUNKENHEIMER**<sup>®</sup>  
THE ONE *Great* NAME IN VALVES



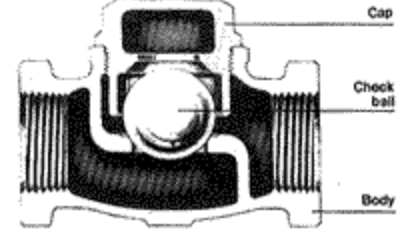
# Parts Identification



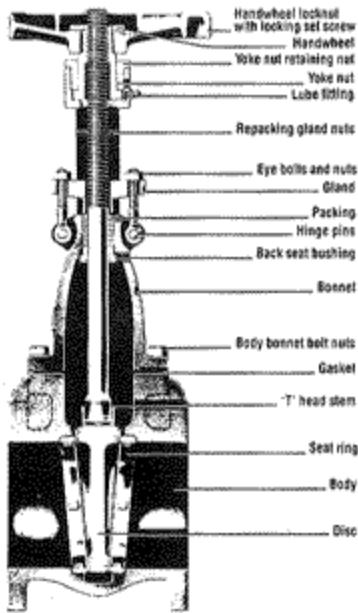
SWING CHECK



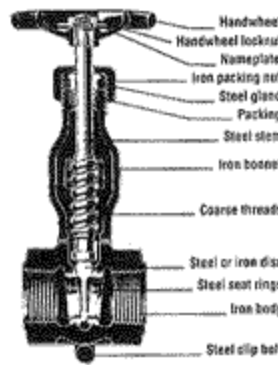
SWING CHECK  
REGRINDING SEAL



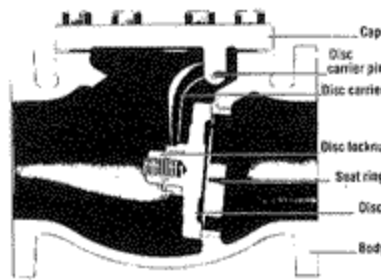
BALL CHECK



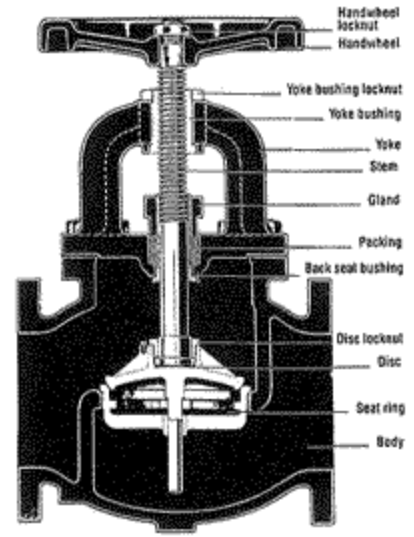
RISING STEM  
OUTSIDE SCREW AND YOKE



RISING STEM ALL-IRON



SWING CHECK  
RENEWABLE SEAT AND DISC



GLOBE VALVE  
OUTSIDE SCREW AND YOKE  
RENEWABLE SEAT AND DISC

